

Schrader Pacific TR413, TR414 Tubeless Tire Valves

For Passenger Cars and Light Trucks

Premium quality Schrader Pacific Tubeless Tire Valves are manufactured at our facility in Japan. Our valves comply with international standards* and the requirements of global automobile manufacturers.

High Quality and Performance Tire Valves manufactured at our facility in Japan



Valve Cap

Prevents water and debris from entering the valve and impeding valve performance

Valve Core

Secures air pressure and allows for pressure adjustment - the essence of the technology

Valve Body

Made from high quality brass and durable rubber compound to ensure long life and performance

The Tire Valve is a small but important part of every vehicle. Tire Valves maintain tire pressure, to protect and ensure safe operation.

Low quality tire valves can suffer from air leakage, result in poor tire performance, uneven wear and a potentially serious accident. Choose top-quality, Schrader Pacific tire valves made in Japan.

Tire valves are exposed to sunshine, centrifugal force, rain water and aging, much the same as a tire. Choosing a high quality tire valve manufactured by Pacific Industrial Co. Ltd. ensures you're providing your customers with the best quality available.

*International Standard: ISO 14960 Tubeless Tires -Valves and Components - Test methods

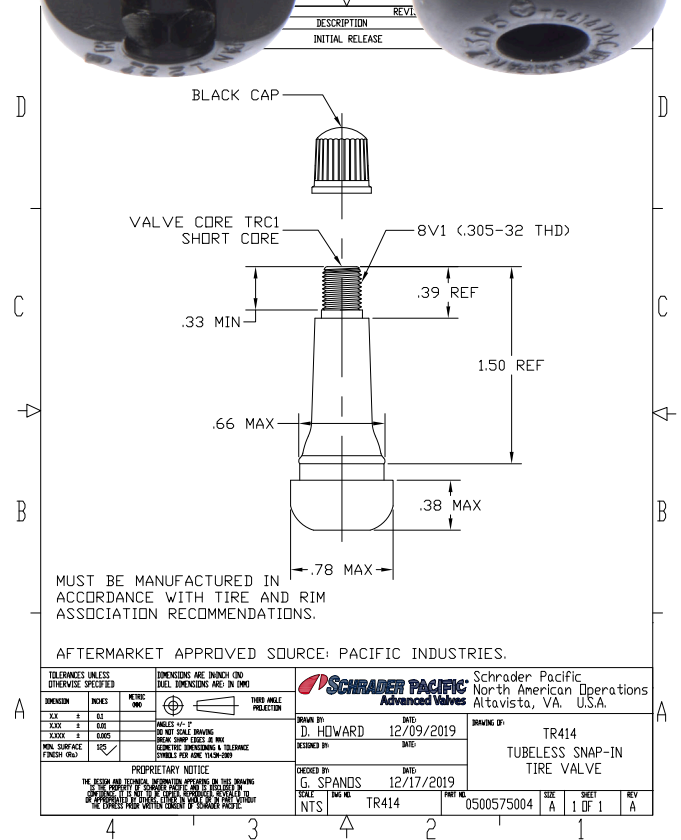
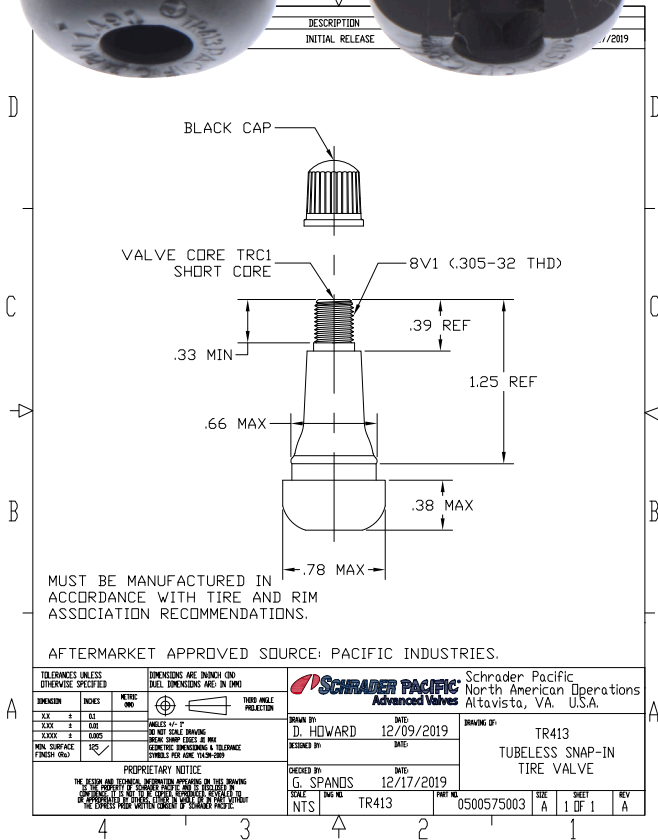


205 Frazier Road • Altavista, Virginia 24517 • 1.800.345.0578 • www.Schrader-Pacific.com

Schrader Pacific TR413, TR414 Tubeless Tire Valves

For Passenger Cars and Light Trucks

Premium quality Schrader Pacific Tubeless Tire Valves, manufactured at our facility in Japan. Our valves comply with international standards* and the requirements of global automobile manufacturers.



*International Standard: ISO 14960 Tubeless Tires -Valves and Components -Test methods



205 Frazier Road • Altavista, Virginia 24517 • 1.800.345.0578 • www.Schrader-Pacific.com

08172020